

BAYLAN

WATER METERS

AK-111

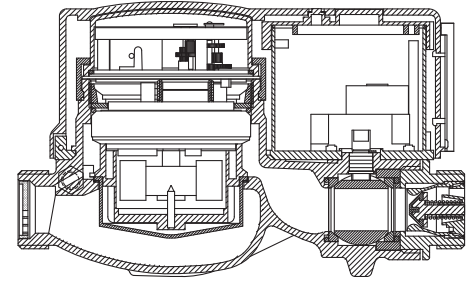
Prepaid

Water Meter



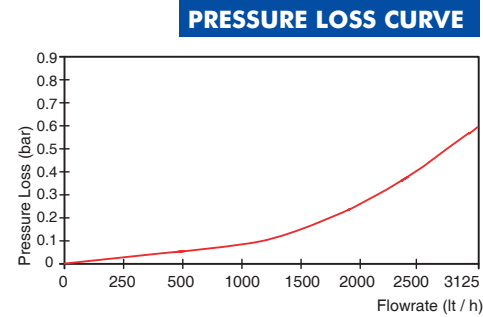
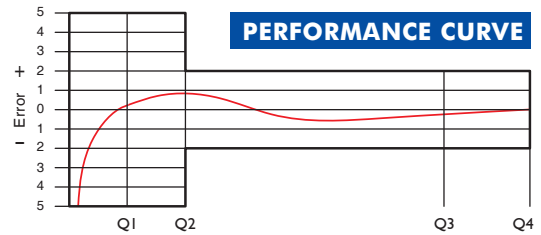
GENERAL

- MID Certified
- Cash in advance payment
- Complete management of the water consumption
- Elimination of meter reading process
- Easy analysis of water consumption by rich reports on PC
- Contactless card usage ensures isolation against external effects
- Saves great amount from time
- Wide angle digital screen for easy reading
- No meter dismantling because of the debts
- Setting up different tariffs
- IP65 protected electronic circuit and mechanical meter
- Suitable for cold water up to 50°C
- Almost no maintenance • Non return valve
- All spare parts available, wide range of service network
- 3 years of warranty • Suitable for potable water
- Long life lithium battery supplied



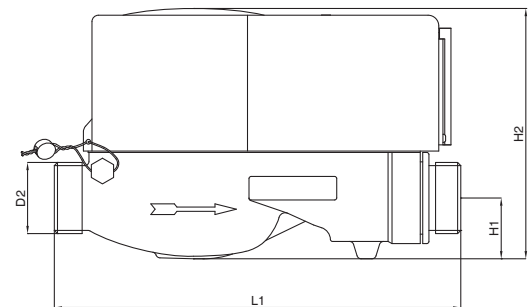
PERFORMANCE DATA

Overload Flowrate	Q4	m ³ /h	3,125
Permanent Flowrate	Q3	m ³ /h	2,5
Transitional Flowrate	Q2	m ³ /h	0,025
Minimum Flowrate	Q1	m ³ /h	0,0156
Q3/Q1 (MI-001 OIML R49)	-		≤160
Mounting on the network	-		Horizontal
Initial Flow	Qi	l/h	7
Maximum Working Pressure	bar		16
Maximum Working Temperature	°C		50
Pressure Loss	bar		0,63
Maximum Registration Capacity	m ³		9999/ 99999/ 99999,99/ 99999,999
Smallest Reading Resolution	m ³ /h		0.00005
Class	-		Class 1 / Class 2
Quantity per package	-		5
Package dimensions	cm		17x58x23



DIMENSIONS

Nominal diameter	DN	20	mm
Connecting diameter	D	G 1	B
Total overall meter height	H	116	mm
Axis height	h	27	mm
Length	L	190	mm
Width	B	93	mm
Length with connections	LB	270	mm
LCD Screen Length		55x20	mm
LCD Screen Angle		30°	mm
Unit weight		1,52	kg
Package Weight (without connections)		8,47	kg
Package Weight (with connections)		9,47	kg



"Due to continuous development of our products, we reserve the right to modify our product design or construction without prior notice."