

# BAYLAN

## WATER METERS

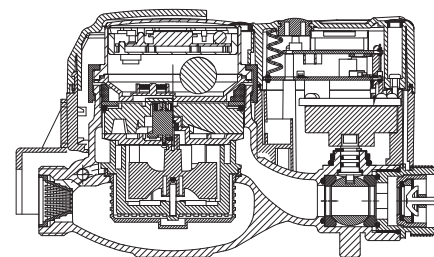
# AK-311 ES2

## Remote Reading And Prepaid Water Meters



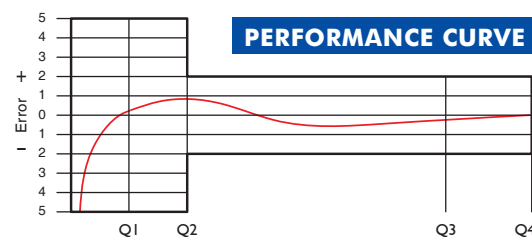
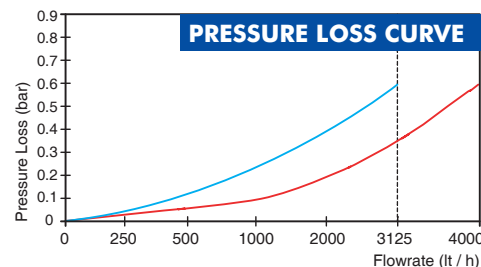
### GENERAL

- MID Certified
- Radio Frequency automatic remote reading
- Warning features such as reverse flow, stray at plumbing and tampering
- Detecting environment temperature feature
- Wireless M-Bus communication (EN13757). (Optional)
- Protection against magnetic effect
- Complete management of the water consumption
- Electronic sensitive measurement feature
- Contactless card usage ensures isolation against external effects
- Setting up different tariffs • Suitable for potable water
- IP68 protected electronic circuit and mechanical meter
- Check valve disabling bidirectional water flow
- Fitting security cover and electronic sensor
- Lithium battery replaceable by local administration
- LCD display with backlight
- Suitable for cold water up to 50°C
- All spare parts available, wide range of service network
- Leakage control system, 3 years of warranty



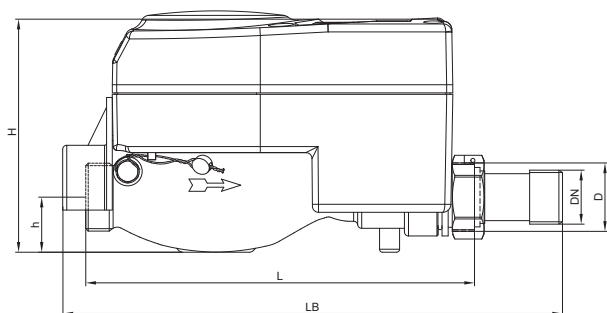
### PERFORMANCE DATA

Overload Flowrate	Q4	m <sup>3</sup> /h	3,125				
Permanent Flowrate	Q3	m <sup>3</sup> /h	2,500				
Transitional Flowrate	Q2	m <sup>3</sup> /h	0,016	0,020	0,025	0,032	0,040
Minimum Flowrate	Q1	m <sup>3</sup> /h	0,01	0,0125	0,0156	0,02	0,025
Overload Flowrate	Q4	m <sup>3</sup> /h	5				
Permanent Flowrate	Q3	m <sup>3</sup> /h	4				
Transitional Flowrate	Q2	m <sup>3</sup> /h	0,0256	0,032	0,040	0,0512	0,064
Minimum Flowrate	Q1	m <sup>3</sup> /h	0,016	0,02	0,025	0,032	0,040
Q3/Q1 (MI-001 OIML R49)	-		250	200	160	125	100
Maximum Registration Capacity	m <sup>3</sup>		999999,99999				
Mounting on the network	-		Horizontal				
Initial Flow	Qi	l/h	6				
Maximum Working Pressure	bar		16				
Maximum Working Temperature	°C		50				
Pressure Loss	bar		0,63				
Smallest Reading Resolution	m <sup>3</sup>		0,00001				
Class	-		Class 1 / Class 2				



### DIMENSIONS

Nominal diameter	DN	20	mm
Connecting diameter	D	G 1	B
Total overall meter height	H	118	mm
Axis height	h	27	mm
Width	B	100	mm
Length	L	190	mm
Length with connections	LB	270	mm
Unit weight		1,67	kg
Package Weight (without connect)		9,05	kg
Package Weight (with connect)		10,00	kg
Quantity per package		5	pcs.
Package dimensions		16x54x23	cm



"Due to continuous development of our products, we reserve the right to modify our product design or construction without prior notice."