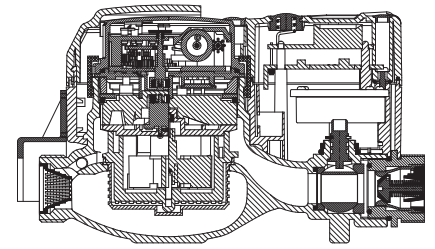


# BAYLAN

## WATER METERS

# AK-311 STS

## Remote Reading and Prepaid Water Meters



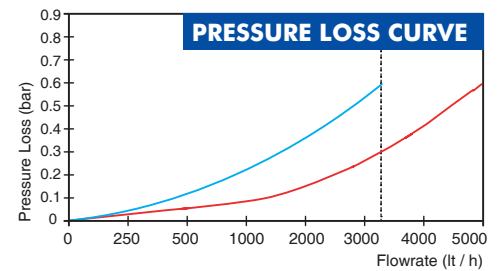
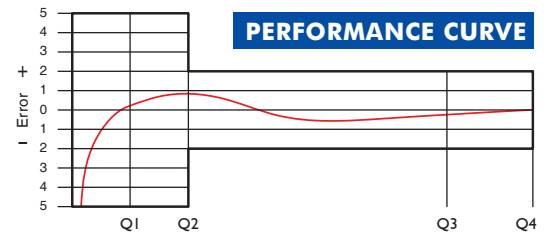
### GENERAL

- MID Certificated • STS Certificated
- Robust and proved encryption technology
- Loading credit without smart card from anywhere.
- Radio Frequency automatic remote reading
- Reading through the center of the GPRS system, the collector of conformity
- Complete management of the water consumption
- Elimination of meter reading process
- No meter dismantling because of the debts
- Setting up different tariffs • Suitable for potable water
- IP68 protected electronic circuit and mechanical meter
- Check valve disabling bidirectional water flow
- Fitting security cover and electronic sensor
- Lithium battery replaceable by local administration
- LCD display with backlight
- Suitable for cold water up to 50°C
- All spare parts available, wide range of service network
- Leakage control system, 3 years of warranty



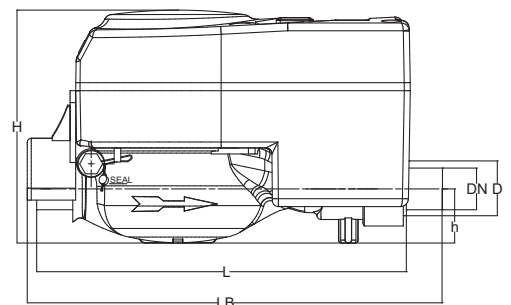
### PERFORMANCE DATA

Nominal Diameter	DN	15/20	20
Overload Flowrate	Q4	m <sup>3</sup> /h	3,125 5
Permanent Flowrate	Q3	m <sup>3</sup> /h	2,5 4
Transitional Flowrate	Q2	m <sup>3</sup> /h	0,025 0,032
Minimum Flowrate	Q1	m <sup>3</sup> /h	0,0156 0,020
Q3/Q1 (MI-001 OIML R49)	-		≤160 ≤200
Initial Flow	Qi	l/h	7
Maximum Working Pressure	bar		16
Maximum Working Temperature	°C		50
Pressure Loss	bar		0,63
Maximum Registration Capacity	m <sup>3</sup>		9999/ 99999/ 99999,99/ 99999,999
Smallest Reading Resolution	m <sup>3</sup>		0,00005
Mounting on the network	-		Horizontal
Accuracy Class	-		Class 1 / Class 2
Quantity per package	-		5
Package dimensions	cm		16x55x24



### DIMENSIONS

Nominal diameter	DN	15	20	mm
Connecting diameter	D	G 3/4	G 1	B
Total overall meter height	H	118	118	mm
Axis height	h	27	27	mm
Length	L	190	190	mm
Width	B	100	100	mm
Length with connections	LB	270	270	mm
LCD Screen Length		64x20	64x20	mm
LCD Screen Angle		30°	30°	mm
Unit weight		1,70	1,70	kg
Package Weight (without connections)		9,19	9,19	kg
Package Weight (with connections)		10,00	10,14	kg



"Due to continuous development of our products, we reserve the right to modify our product design or construction without prior notice."