

BAYLAN

WATER METERS

ES-10

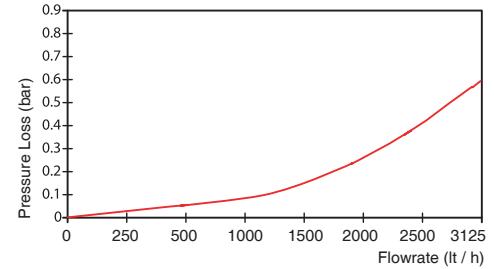
Single jet Dry type Water Meter



GENERAL

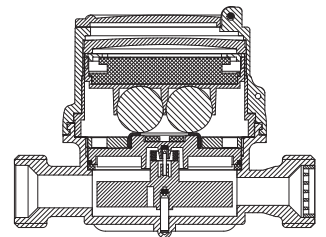
- MID Certified
- Single jet design assures very high sensitivity even at low flows
- Warning features such as reverse flow, stray at plumbing and tampering
- Detecting environment temperature feature
- Pulse output and AMR reading. (Optional)
- Support wired or Wireless M-Bus communication (EN13757). (Optional)
- Wide angle digital screen for easy reading
- IP68 protected electronic circuit and mechanical meter
- Protection against magnetic effect
- Battery life time 10 years. (Optional 15 years)
- Suitable for potable water
- Low pressure loss, high sensitivity at initial flow
- Special glass with high resistance to pressure and impact
- Electrostatic painted body made of corrosion resistant brass
- 360° rotating lid
- 3 years of warranty
- Suitable for cold water up to 50°C
- Service and spare parts available for 10 years

PRESSURE LOSS CURVE

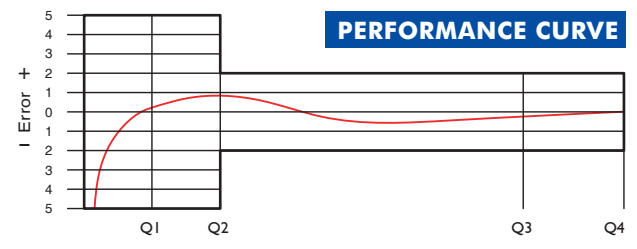


PERFORMANCE DATA

Overload Flowrate	Q4	m ³ /h	3,125						
Permanent Flowrate	Q3	m ³ /h	2,5						
Transitional Flowrate	Q2	m ³ /h	0,01	0,0127	0,016	0,020	0,025	0,032	0,040
Minimum Flowrate	Q1	m ³ /h	0,00625	0,008	0,01	0,0125	0,0156	0,02	0,025
Q3/Q1 (MI-001 OIML R49)	-		400	315	250	200	160	125	100
Maximum Registration Capacity	m ³	999999,99999							
Mounting on the network	-	Horizontal							
Initial Flow	Qi	l/h	6						
Maximum Working Pressure	bar	16							
Maximum Working Temperature	°C	50							
Pressure Loss	bar	0,6							
Smallest Reading Resolution	m ³	0,00001							
Class	-	Class 1 / Class 2							

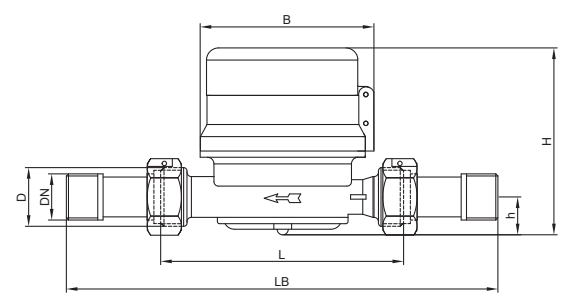


PERFORMANCE CURVE



DIMENSIONS

Nominal diameter	DN	15	mm
Connecting diameter	D	G 3/4	B
Total overall meter height	H	84	mm
Axis height	h	17	mm
Width	B	78	mm
Length	L	110	mm
Length with connections	LB	190	mm
Unit weight		0,46	kg
Package Weight (without connect)		5,22	kg
Package Weight (with connect)		6,82	kg
Quantity per package		10	pcs.
Package dimensions		21x42x16 cm	



"Due to continuous development of our products, we reserve the right to modify our product design or construction without prior notice."