

# BAYLAN

## WATER METERS

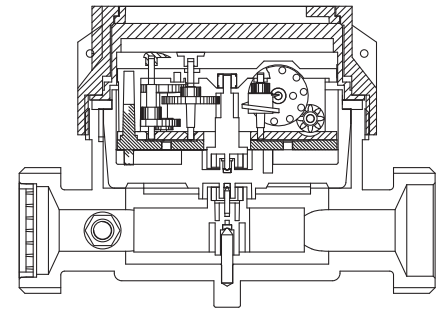
### KK-1

## Single jet Dry type Water Meter



#### GENERAL

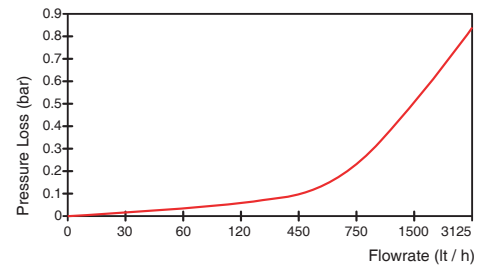
- MID Certified
- Single jet design assures very high sensitivity even at low flows
- Suitable for potable water
- Available for optical reading
- Pulse output and AMR reading features are optional
- Electrostatic painted body made of corrosion resistant brass
- Protection against external magnetic fields
- 3 years of warranty
- Wiper on the glass is optional
- Vacuumed mechanism
- 360° rotating lid
- Suitable for cold water up to 50°C
- Almost no maintenance
- Service and spare parts available for 10 years



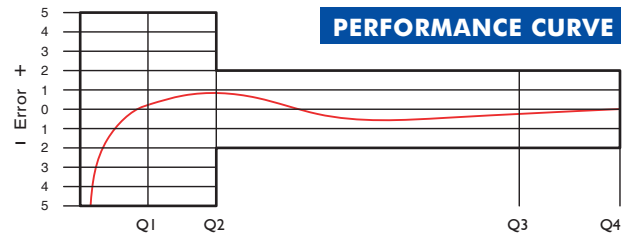
#### PERFORMANCE DATA

Overload Flowrate	Q4	m <sup>3</sup> /h	3,125	
Permanent Flowrate	Q3	m <sup>3</sup> /h	2,5	
Transitional Flowrate	Q2	m <sup>3</sup> /h	0,025	0,050
Minimum Flowrate	Q1	m <sup>3</sup> /h	0,0156	0,03125
Q3/Q1 (MI-001 OIML R49)	-		≤160	≤80
Mounting on the network	-		H	V
Maximum Registration Capacity	m <sup>3</sup>	9999 / 99999 / 99999,99 / 99999,999		
Initial Flow	Qi	l/h	7	
Maximum Working Pressure	bar	16		
Maximum Working Temperature	°C	50		
Pressure Loss	bar	0,63		
Smallest Reading Resolution	m <sup>3</sup> /h	0,00005		
Class	-	Class 1/Class 2		
Quantity per package	-	10		
Package dimensions	cm	21x42,5x16,5		

#### PRESSURE LOSS CURVE



#### PERFORMANCE CURVE



#### DIMENSIONS

Nominal diameter	DN	15	20	mm
Connecting diameter	D	G 3/4	G 1	B
Total overall meter height	H	84	84	mm
Axis height	h	20	20	mm
Length	L	110/115	110/115	mm
Width	B	79	79	mm
Length with connections	LB	190/195	190/195	mm
Unit weight		0,72	0,70	kg
Package Weight (without connections)		7,78	7,60	kg
Package Weight (with connections)		9,38	9,50	kg

