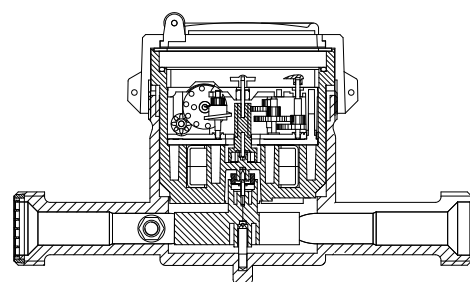


BAYLAN

WATER METERS

KK-10

Single jet Dry type Water Meter



GENERAL

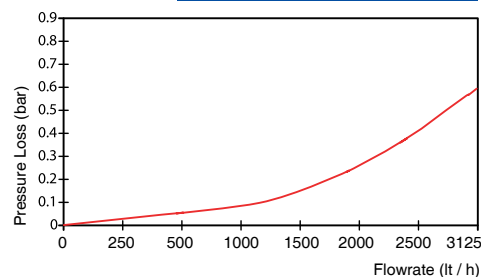
- MID Certified
- Single jet design assures very high sensitivity even at low flows
- 360° rotating lid • Suitable for potable water
- Electrostatic painted body made of corrosion resistant brass
- Vacuumed mechanism
- Stainless steel register cup is optional
- Protection against external magnetic fields
- Available for optical reading
- Pulse output and AMR reading features are optional
- 3 years of warranty
- Almost no maintenance
- Suitable for cold water up to 50°C
- Service and spare parts available for 10 years



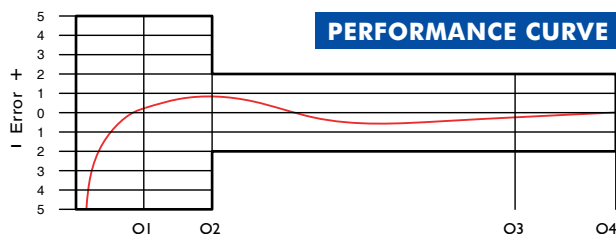
PERFORMANCE DATA

		MID-001		75/33/EC	
Overload Flowrate	Q4	m ³ /h	3,125	Qn	1.5
Permanent Flowrate	Q3	m ³ /h	2,5	Qmax	3.0
Transitional Flowrate	Q2	m ³ /h	0,025	Qt	0.0225
Minimum Flowrate	Q1	m ³ /h	0,0156	Qmin	0.015
Q3/Q1 (MI-001 OIML R49)	-		≤160		160
Mounting on the network	-		H	V	H
Maximum Registration Capacity	m ³		9999 / 99999 / 99999,99 / 99999,999		
Initial Flow	Qi	l/h	5		
Maximum Working Pressure	bar		16		
Maximum Working Temperature	°C		50		
Pressure Loss	bar		0,63		
Smallest Reading Resolution	m ³ /h		0,00005		
Class	-		Class 1/Class 2		
Quantity per package	-		10		
Package dimensions	cm		20x41x20		

PRESSURE LOSS CURVE

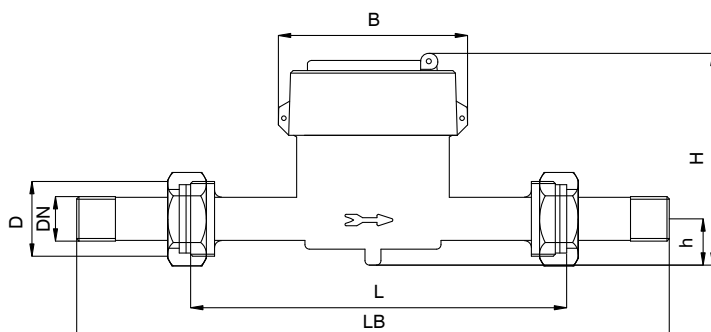


PERFORMANCE CURVE



DIMENSIONS

Nominal diameter	DN	15	mm
Connecting diameter	D	G 3/4	B
Total overall meter height	H	98	mm
Axis height	h	20	mm
Length	L	165/170	mm
Width	B	82,5	mm
Length with connections	LB	245/250	mm
Unit weight		0,80	kg
Package Weight (without connections)		8,78	kg
Package Weight (with connections)		10,38	kg



"Due to continuous development of our products, we reserve the right to modify our product design or construction without prior notice."