

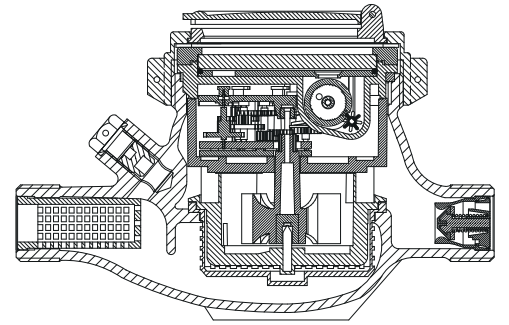
BAYLAN

WATER METERS

SD-1

Multi jet Semi-Dry type

Water Meter



GENERAL

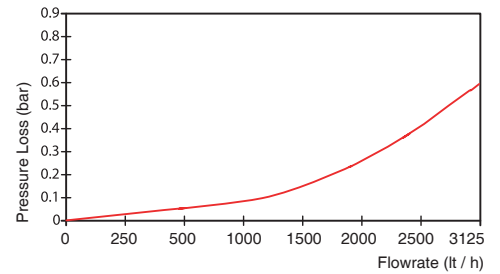
- MID Certified
- Multi jet working principle assures a long service time
- Low pressure loss, high sensitivity at initial flow
- Suitable for potable water
- Propylene glycol protected register
- Special glass with high resistance to pressure and impact
- Double filter • Non return valve
- Electrostatic painted body made of corrosion resistant brass
- Available for optical reading
- Pulse output and AMR reading features are optional
- 3 years of warranty • Almost no maintenance
- Suitable for cold water up to 50°C
- Service and spare parts available for 10 years



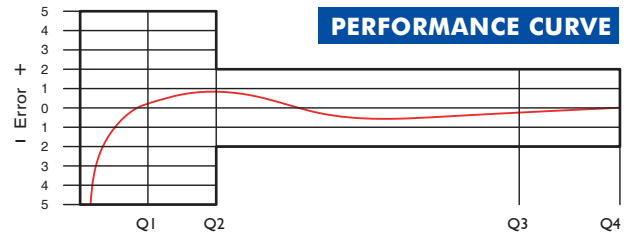
PERFORMANCE DATA

Overload Flowrate	Q4	m³/h	3,125
Permanent Flowrate	Q3	m³/h	2,5
Transitional Flowrate	Q2	m³/h	0,016
Minimum Flowrate	Q1	m³/h	0,01
Q3/Q1 (MI-001 OIML R49)	-		≤250
Mounting on the network	-		Horizontal
Maximum Registration Cap.	m³		9999 / 99999 / 99999,99 / 99999,999
Initial Flow	Qi	l/h	5
Maximum Working Pressure	bar		16
Maximum Working Temp.	°C		50
Pressure Loss	bar		0,63
Smallest Reading Resolution	m³/h		0,00005
Class	-		Class 1 / Class 2

PRESSURE LOSS CURVE



PERFORMANCE CURVE



DIMENSIONS

Nominal diameter	DN	15	mm
Connecting diameter	D	G 3/4	B
Total overall meter height	H	112	mm
Axis height	h	33	mm
Length	L	165	mm
Width	B	95	mm
Length with connections	LB	245	mm
Unit weight		1,21	kg
Package Weight (without connect)		13,29	kg
Package Weight (with connect)		14,90	kg
Quantity per package		10	pcs
Package dimensions		27x48,5x20	cm

