

BAYLAN

WATER METERS

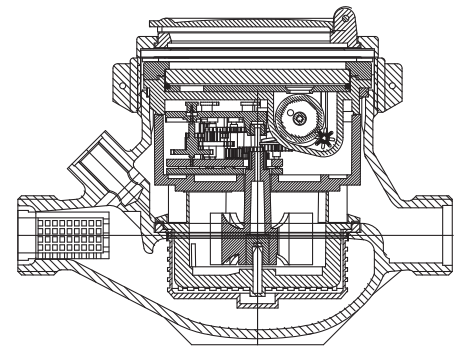
SD-3

Multi jet Semi-Dry type Water Meter



GENERAL

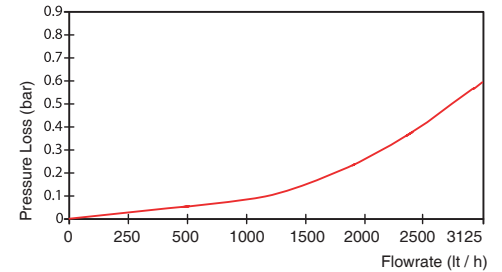
- MID Certified
- Multi jet working principle assures a long service time
- Suitable for potable water
- Low pressure loss, high sensitivity at initial flow
- Propylene glycol protected register
- Special glass with high resistance to pressure and impact
- Double filter • Non return valve
- Electrostatic painted body made of corrosion resistant brass
- Available for optical reading
- Pulse output and AMR reading features are optional
- 3 years of warranty • Almost no maintenance
- Suitable for cold water up to 50°C
- Service and spare parts available for 10 years



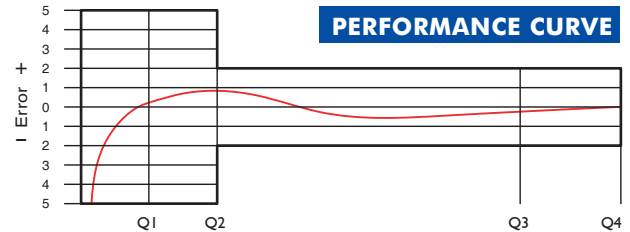
PERFORMANCE DATA

Overload Flowrate	Q4	m ³ /h	3,125	
Permanent Flowrate	Q3	m ³ /h	2,5	
Transitional Flowrate	Q2	m ³ /h	0,020	0,10
Minimum Flowrate	Q1	m ³ /h	0,0125	0,0625
Q3/Q1 (MI-001 OIML R49)	-		≤200	40
Mounting on the network	-		H	V
Maximum Registration Cap.	m ³		9999 / 99999 / 99999,99 / 99999,999	
Initial Flow	Qi	l/h	5	
Maximum Working Pressure	bar		16	
Maximum Working Temp.	°C		50	
Pressure Loss	bar		0,63	
Smallest Reading Resolution	m ³ /h		0,00005	
Class	-		Class 1 / Class 2	

PRESSURE LOSS CURVE



PERFORMANCE CURVE



DIMENSIONS

Nominal diameter	DN	15	mm
Connecting diameter	D	G 3/4	B
Total overall meter height	H	114	mm
Axis height	h	36,5	mm
Length	L	145	mm
Width	B	95	mm
Length with connections	LB	225	mm
Unit weight		1,35	kg
Package Weight (without connect)		14,32	kg
Package Weight (with connect)		15,92	kg
Quantity per package		10	pcs
Package dimensions		27x49x16,5	cm

