

BAYLAN

WATER METERS

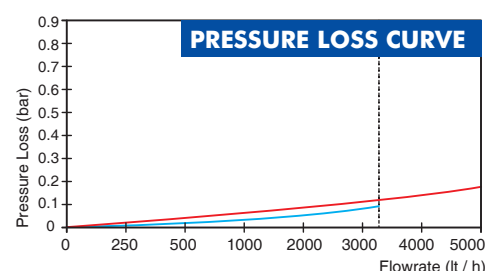
ST-2

Remote Reading Ultrasonic Water Meters



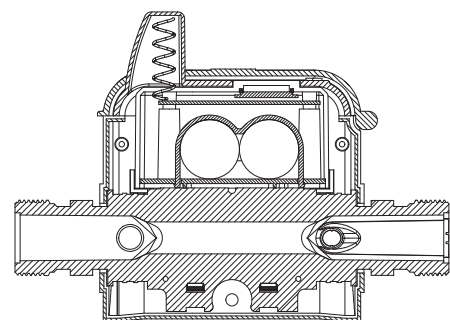
GENERAL

- MID Certificated
- Supports Wireless MBUS Protocol • RF Readings
- EN13757 compliant wired M-Bus protocol (Optional)
- Modbus RTU (RS485) (Optional)
- Plastic body with high resistance to pressure and impacts
- 3,6V Lithium battery
- Selectable Frequency Band EU 863-870 Mhz
- Ultrasonic principle assures very high sensitivity even at low flow
- Suitable for cold water up to 50°C • Suitable for potable water
- No measurement of air • Reverse flow detection
- Wide dynamic measuring range and low pressure loss
- Solid stainless steel reflector • IP 68 protection class
- Can be mounted all positions desired
- Leakage control system • 3 years of warranty
- Advanced service network
- Service and spare parts available for 10 years



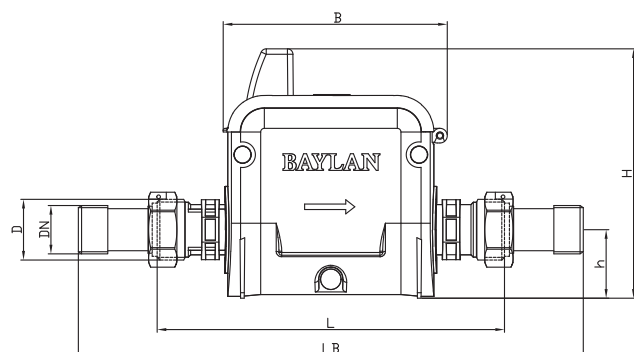
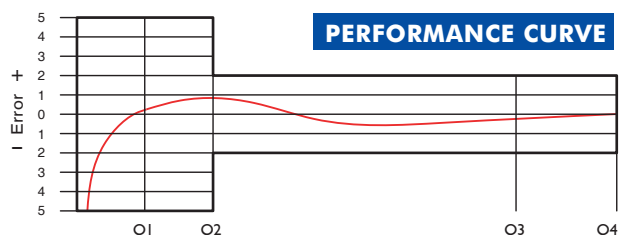
PERFORMANCE DATA

Overload Flowrate	Q4	m ³ /h	3,125	5
Permanent Flowrate	Q3	m ³ /h	2,5	4
Transitional Flowrate	Q2	m ³ /h	0,008	0,008
Minimum Flowrate	Q1	m ³ /h	0,005	0,005
Q3/Q1 (MI-001 OIML R49)	-		≤500	≤800
Maximum Registration Capacity		m ³	999999,999	
Mounting on the network		-	All Positions	
Initial Flow	Qi	l/h	1	
Maximum Working Pressure		bar	16	
Maximum Working Temperature		°C	50	
Pressure Loss		bar	0,10	0,16
Smallest Reading Resolution		m ³	0,000001	
Class		-	Class 1 / Class 2	
Quantity per package		-	5	



DIMENSIONS

Nominal diameter	DN	20	mm
Connecting diameter	D	G 1	B
Total overall meter height	H	136	mm
Axis height	h	36	mm
Width	B	80	mm
Length	L	190	mm
Length with connections	LB	270	mm
LCD Screen Length		50x30	mm
LCD Screen Angle		30°	mm
Unit weight		0,62	kg
Package Weight (without connec.)		3,76	kg
Package Weight (with connec.)		4,71	kg
Package dimensions		16x54x23	cm



"Due to continuous development of our products, we reserve the right to modify our product design or construction without prior notice."