

BAYLAN

WATER METERS

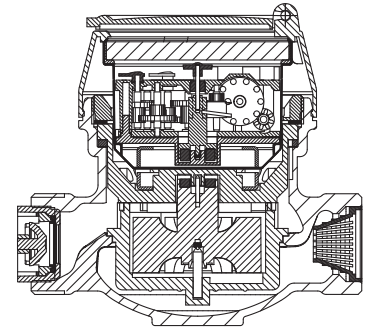
TK-13

Multi jet Dry type Water Meter



GENERAL

- MID Certified
- Multi jet working principle assures a long service time
- Suitable for potable water
- 359° rotating dial
- Low pressure loss, high sensitivity at initial flow
- Electrostatic painted body made of corrosion resistant brass
- Protection against external magnetic fields
- Available for optical reading • Non return valve
- Pulse output and AMR reading features are optional
- 3 years of warranty • Almost no maintenance
- With stainless steel register cup
- Wiper on the glass is optional
- Suitable for cold water up to 50°C
- Service and spare parts available for 10 years



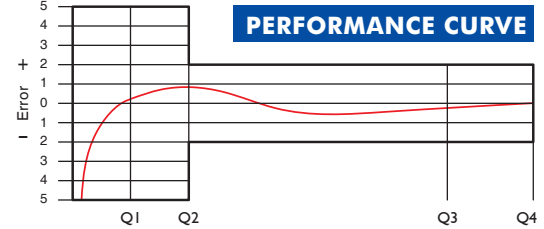
PERFORMANCE DATA

Overload Flowrate	Q4	m ³ /h	3,125
Permanent Flowrate	Q3	m ³ /h	2,5
Transitional Flowrate	Q2	m ³ /h	0,0200
Minimum Flowrate	Q1	m ³ /h	0,0125
Q3/Q1 (MI-001 OIML R49)	-		≤200
Mounting on the network	-		Horizontal
Initial Flow	Qi	l/h	5
Maximum Working Pressure	bar		16
Maximum Working Temperature	°C		50
Pressure Loss	bar		0,63
Maximum Registration Capacity	m ³		9999/99999/99999,99/99999,999
Smallest Reading Resolution	m ³ /h		0,00005
Class	-		Sınıf 1 / Sınıf 2
Quantity per package	-		10
Package dimensions	cm		22x42x16

DIMENSIONS

Nominal diameter	DN	15	20	mm
Connecting diameter	D	G 3/4	G 1	B
Total overall meter height	H	106,5	106,5	mm
Axis height	h	27	27	mm
Width	B	78,5	78,5	mm
Length	L	110 115	110 115	mm
Length with connections	LB	195 200	195 200	mm
Unit weight		0,81	0,86	kg
Package Weight (without connections)		8,63	9,36	kg
Package Weight (with connections)		10,23	11,26	kg

PERFORMANCE CURVE



PRESSURE LOSS CURVE

