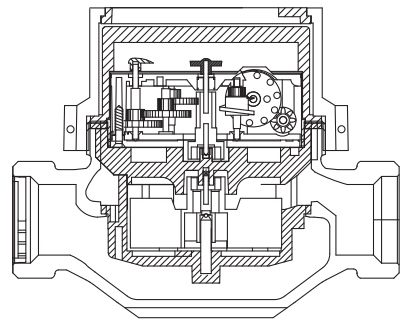


# BAYLAN

## WATER METERS

### TK-13S

## Multi jet Dry type Water Meter (Hot Water)



#### GENERAL

- MID Certified
- Multi jet working principle assures a long service time
- 360° rotating lid
- Low pressure loss, high sensitivity at initial flow
- Electrostatic painted body made of corrosion resistant brass
- Protection against external magnetic fields
- Available for optical reading
- Wiper on the glass is optional
- Vacuumed mechanism
- Pulse output and AMR reading features are optional
- 3 years of warranty • Almost no maintenance
- Stainless steel register cup is optional
- Suitable for cold water up to 90°C
- Service and spare parts available for 10 years



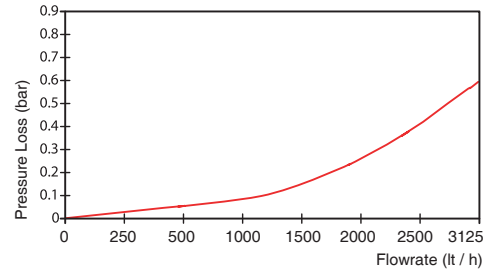
#### PERFORMANCE DATA

Overload Flowrate	Q4	m <sup>3</sup> /h	3.125			
Permanent Flowrate	Q3	m <sup>3</sup> /h	2.5			
Transitional Flowrate	Q2	m <sup>3</sup> /h	0.04	0.032	0.025	0.1
Minimum Flowrate	Q1	m <sup>3</sup> /h	0.025	0.02	0.0156	0.0625
Q3/Q1 (MI-001 OIML R49)	-		100	125	160	40
Mounting on the network	-		H		V	
Maximum Registration Capacity		m <sup>3</sup>	9999 / 99999 / 99999,99 / 99999,999			
Initial Flow	Qi	l/h	12			
Maximum Working Pressure		bar	16			
Maximum Working Temperature		°C	90			
Pressure Loss		bar	Max. 0,6			
Smallest Reading Resolution		m <sup>3</sup>	0.00005			
Class			Class 1 / Class 2			
Quantity per package			10			

#### DIMENSIONS

Nominal diameter	DN	15	20	mm
Connecting diameter	D	G 3/4	G 1	B
Total overall meter height	H	107	107	mm
Axis height	h	26.4	26.4	mm
Width	B	80	80	mm
Length	L	110   130	110   130	mm
Length with connections	LB	190   210	190   210	mm
Unit weight		0.86	0.88	kg
Package Weight (without connect)		9.20	9.36	kg
Package Weight (with connect)		10.80	11.26	kg
Package dimensions		22x42x16	22x42x16	cm

#### PRESSURE LOSS CURVE



#### PERFORMANCE CURVE

