

BAYLAN

WATER METERS

TK-2 RF

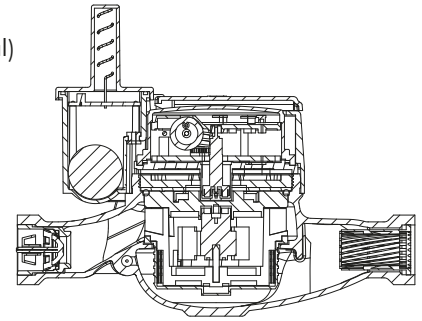
Multi jet Dry type Water Meter



GENERAL

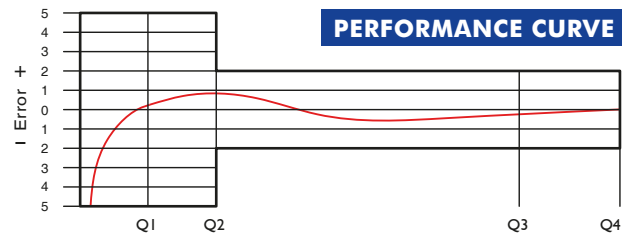
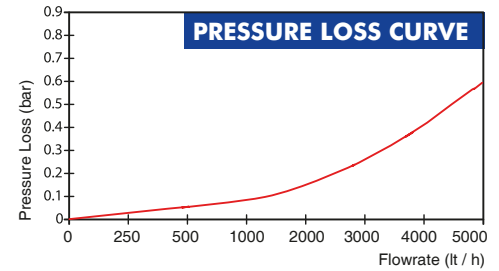
LoRa & wM-Bus Smart Water Meter

- Compact design; meter and communication module in the same housing
- Integrated Lora module-chipset allows both LORA and FSK modulation
- Supports LoRaWAN™ - Class A Protocol
- Supports Wireless MBUS Protocol
- Supports LoRaWAN™ and Wireless MBUS Protocols simultaneously (Optional)
- Selectable Frequency Band EU 863-870 Mhz
- Power Supply 3.6V Lithium Battery • MID Certified
- Vacuumed/air-free mechanism suitable for tropical installation conditions
- Electrostatic epoxy painted body made of corrosion-resistant brass alloy
- Multi jet working principle assures a long service time
- Suitable for potable water and cold water up to 50°C
- Low pressure loss, high sensitivity at initial flow
- Special glass with high resistance to pressure and impact
- Star wheels indicator ready for optical pulse read-out
- 3 years of warranty • Integrated strainer and non-return valve
- Almost no maintenance
- Service and spare parts available for 10 years



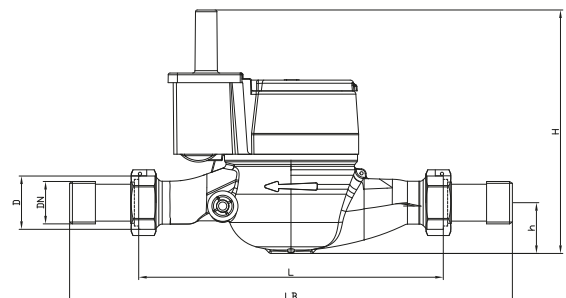
PERFORMANCE DATA

Overload Flowrate	Q4	m ³ /h	5	
Permanent Flowrate	Q3	m ³ /h	4	
Transitional Flowrate	Q2	m ³ /h	0,0256	0,08
Minimum Flowrate	Q1	m ³ /h	0,016	0,05
Q3/Q1 (MI-001 OIML R49)			≤250	≤80
Mounting on the network			H	V
Maximum Registration Capacity			9999 / 99999 / 99999,99 / 99999,999	
Initial Flowrate	Qi	l/h	6	
Maximum Working Pressure		bar	16	
Maximum Working Temperature		°C	50	
Pressure Loss		bar	0,63	
Smallest Reading Resolution		m ³	0,00005	
Class			Class 1 / Class 2	



DIMENSIONS

Nominal diameter	DN	20	mm
Connecting diameter	D	G 1	B
Total overall meter height	H	148,7	mm
Axis height	h	31,7	mm
Width	B	85	mm
Length	L	190	mm
Length with connections	LB	270	mm
Unit weight		1,21	kg
Package Weight (without connect)		6,81	kg
Package Weight (with connect)		7,76	kg
Quantity per package		5	pcs
Package dimensions		19x54x23	cm



"Due to continuous development of our products, we reserve the right to modify our product design or construction without prior notice."