

# BAYLAN

## WATER METERS

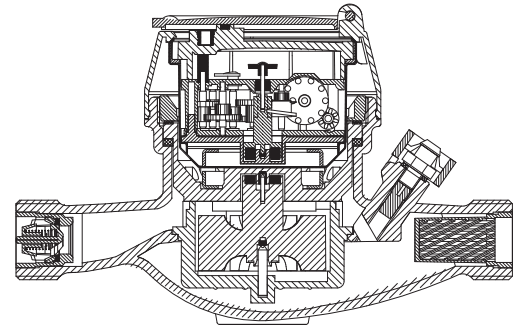
### TK-23

## Multi jet Dry type Water Meter



#### GENERAL

- MID Certified
- Suitable for potable water • 359° rotating dial
- Multi jet working principle assures a long service time
- Low pressure loss, high sensitivity at initial flow
- Vacuumed mechanism • Protection against magnetic effects
- Electrostatic painted body made of corrosion resistant brass
- Protection against external magnetic fields
- For optical reading • Non return valve
- Pulse output and AMR reading features are optional
- 3 years of warranty • Almost no maintenance
- Stainless steel register cup is optional
- Suitable for cold water up to 50°C
- Service and spare parts available for 10 years



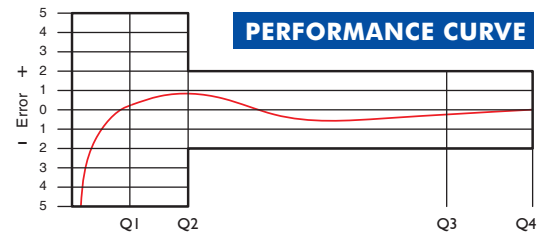
#### PERFORMANCE DATA

Overload Flowrate	Q4	m³/h	3,125
Permanent Flowrate	Q3	m³/h	2,5
Transitional Flowrate	Q2	m³/h	0,0200
Minimum Flowrate	Q1	m³/h	0,0125
Q3/Q1 (MI-001 OIML R49)	-		≤200
Mounting on the network	-		Horizontal
Initial Flow	Qi	l/h	5
Maximum Working Pressure	bar		16
Maximum Working Temperature	°C		50
Pressure Loss	bar		0,63
Maximum Registration Capacity	m³		9999/99999/99999,99/99999,999
Smallest Reading Resolution	m³/h		0,00005
Class	-		Class 1 / Class 2
Quantity per package	-		10
Package dimensions	cm		24,5x45x20

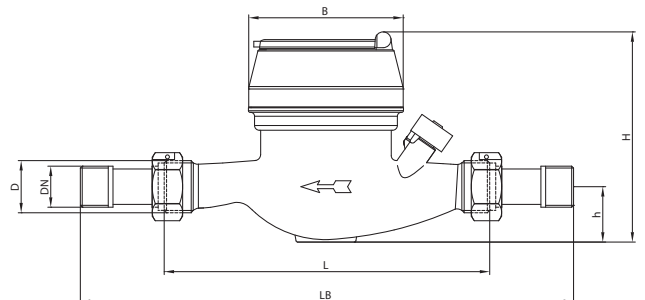
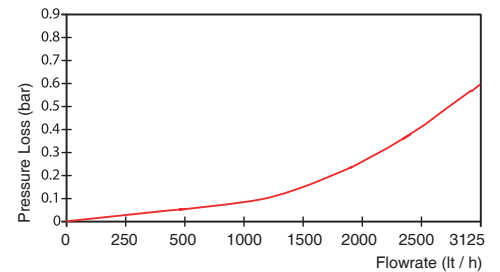
#### DIMENSIONS

Nominal diameter	DN	15	mm
Connecting diameter	D	G 3/4	B
Total overall meter height	H	107	mm
Axis height	h	28	mm
Width	B	77	mm
Length	L	165   170	mm
Length with connections	LB	245   250	mm
Unit weight		0,86	kg
Package Weight (without connect)		9,50	kg
Package Weight (with connect)		11,13	kg

#### PERFORMANCE CURVE



#### PRESSURE LOSS CURVE



"Due to continuous development of our products, we reserve the right to modify our product design or construction without prior notice."