

BAYLAN

WATER METERS

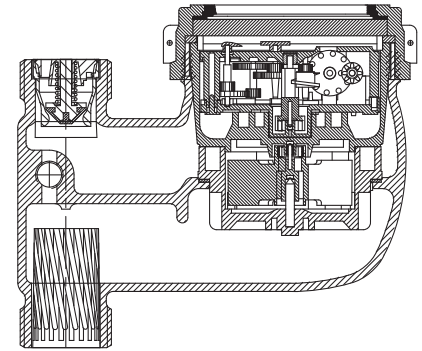
TK-27

Multi jet Dry type Water Meter



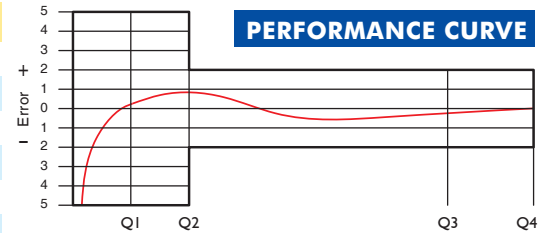
GENERAL

- MID Certified
- Vertical mounting • Suitable for potable water
- Multi jet working principle assures a long service time
- 360° rotating lid
- Low pressure loss, high sensitivity at initial flow
- Electrostatic painted body made of corrosion resistant brass
- Protection against external magnetic fields
- Available for optical reading • Non return valve
- Pulse output and AMR reading features are optional
- 3 years of warranty • Almost no maintenance
- Suitable for cold water up to 50°C
- Service and spare parts available for 10 years

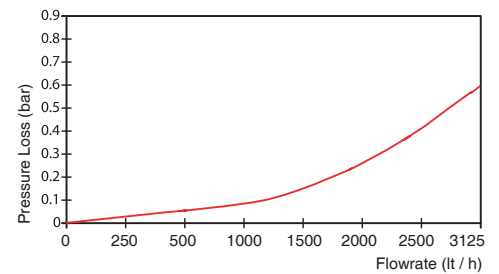


PERFORMANCE DATA

Overload Flowrate	Q4	m ³ /h	3,125
Permanent Flowrate	Q3	m ³ /h	2,5
Transitional Flowrate	Q2	m ³ /h	0,025
Minimum Flowrate	Q1	m ³ /h	0,0156
Q3/Q1 (MI-001 OIML R49)	-		≤160
Mounting on the network	-		Vertical
Maximum Registration Capacity	m ³		9999/99999/99999,99/99999,999
Initial Flowrate	Qi	l/h	5
Maximum Working Pressure	bar		16
Maximum Working Temperature	°C		50
Pressure Loss	bar		0,63
Smallest Reading Resolution	m ³		0,00005
Class	-		Class 1 / Class 2
Quantity per package	-		10
Package dimensions	cm		27x52x22

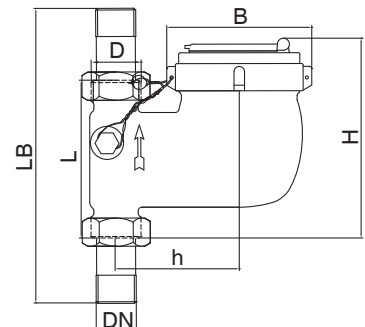


PRESSURE LOSS CURVE



DIMENSIONS

Nominal diameter	DN	20	mm
Connecting diameter	D	G 1	B
Total overall meter height	H	140,2	mm
Axis height	h	82	mm
Length	L	105	mm
Width	B	95	mm
Length with connections	LB	185	mm
Unit weight		1,59	kg
Package Weight (without connect)		16,82	kg
Package Weight (with connect)		18,72	kg



"Due to continuous development of our products, we reserve the right to modify our product design or construction without prior notice."