

BAYLAN

WATER METERS

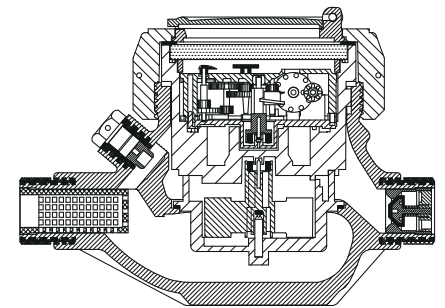
TK-4P

Multi jet Dry type Water Meter



GENERAL

- MID Certified
- Multi jet working principle assures a long service time
- Low pressure loss, high sensitivity at initial flow
- 360° rotating lid • Non return valve
- Special glass with high resistance to pressure and impact
- Plastic body with high resistance to pressure and impacts
- Protection against external magnetic fields
- Available for optical reading • Almost no maintenance
- Pulse output and AMR reading features are optional
- 3 years of warranty • Suitable for potable water
- Suitable for cold water up to 50°C
- Stainless steel register cup is optional
- Service and spare parts available for 10 years
- Brass or plastic end connection options



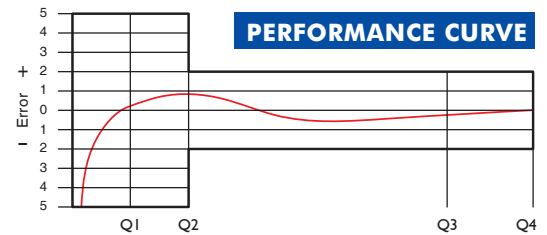
PERFORMANCE DATA

Overload Flowrate	Q4	m ³ /h	3,125
Permanent Flowrate	Q3	m ³ /h	2,5
Transitional Flowrate	Q2	m ³ /h	0,016
Minimum Flowrate	Q1	m ³ /h	0,01
Q3/Q1 (MI-001 OIML R49)	-		≤250
Mounting on the network	-		Horizontal
Initial Flow	Qi	l/h	5
Maximum Working Pressure	bar		16
Maximum Working Temperature	°C		50
Pressure Loss	bar		0,6
Maximum Registration Capacity	m ³ /h		9999/99999/99999,99/99999,999
Smallest Reading Resolution	m ³ /h		0,00005
Class			Class 1 / Class 2
Quantity per package	-		10

DIMENSIONS

Nominal diameter	DN	15	mm
Connecting diameter	D	G 3/4	B
Total overall meter height	H	114	mm
Axis height	h	39	mm
Length	L	165	mm
Width	B	100	mm
Length with connections	LB	245	mm
Unit weight		0,75	kg
Package Weight (without connect)		8,55	kg
Package Weight (with connect)		9,05	kg
Package dimensions		27x54x20	cm

PERFORMANCE CURVE



PRESSURE LOSS CURVE

