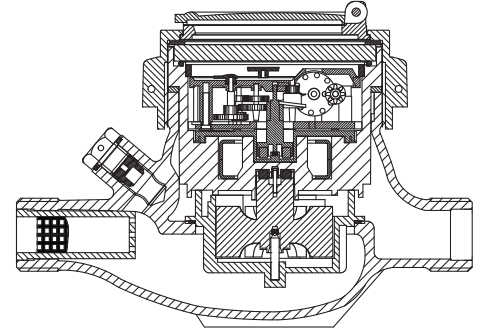


BAYLAN

WATER METERS

TK-4S

Multi jet Dry type Water Meter (Hot Water)



GENERAL

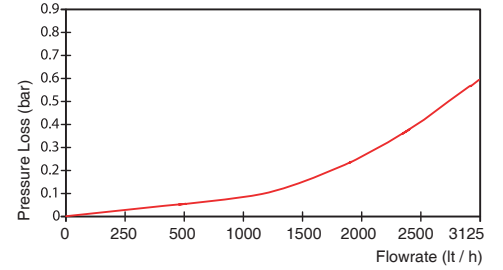
- MID Certified
- Multi jet working principle assures a long service time
- Low pressure loss, high sensitivity at initial flow
- Special glass with high resistance to pressure and impact
- Electrostatic painted body made of corrosion resistant brass
- Protection against external magnetic fields
- Available for optical reading
- Vacuumed mechanism
- Wiper on the glass is optional
- Pulse output and AMR reading features are optional
- Stainless steel register cup is optional
- 3 years of warranty
- Suitable for hot water up to 90°C
- Almost no maintenance • 360° rotating lid
- Service and spare parts available for 10 years



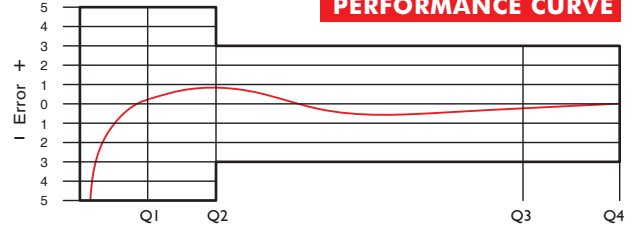
PERFORMANCE DATA

Overload Flowrate	Q4	m ³ /h	3.125			
Permanent Flowrate	Q3	m ³ /h	2.5			
Transitional Flowrate	Q2	m ³ /h	0.04	0.032	0.025	0.1
Minimum Flowrate	Q1	m ³ /h	0.025	0.02	0.0156	0.0625
Q3/Q1 (MI-001 OIML R49)	-		100	125	160	40
Mounting on the network	-		H		V	
Maximum Registration Capacity		m ³	9999 / 99999 / 99999,99 / 99999,999			
Initial Flow	Qi	l/h	12			
Maximum Working Pressure		bar	16			
Maximum Working Temperature		°C	90			
Pressure Loss		bar	Max. 0,6			
Smallest Reading Resolution		m ³	0.00005			
Class			Class 1 / Class 2			
Quantity per package			10			

PRESSURE LOSS CURVE

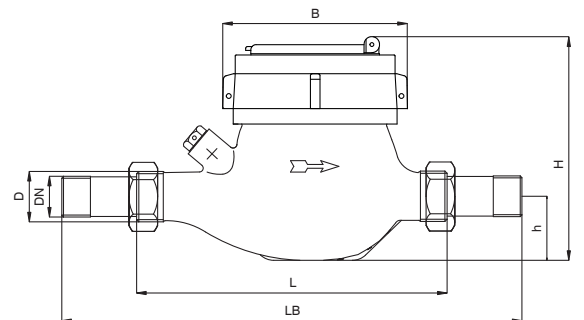


PERFORMANCE CURVE



DIMENSIONS

Nominal diameter	DN	15	mm
Connecting diameter	D	G 3/4	B
Total overall meter height	H	118.5	mm
Axis height	h	32.2	mm
Width	B	95.5	mm
Length	L	165 190	mm
Length with connections	LB	245 270	mm
Unit weight		1.33	kg
Package Weight (without connect)		14.12	kg
Package Weight (with connect)		15.72	kg
Package dimensions		27x48.5x20	cm



"Due to continuous development of our products, we reserve the right to modify our product design or construction without prior notice."