

BAYLAN

WATER METERS

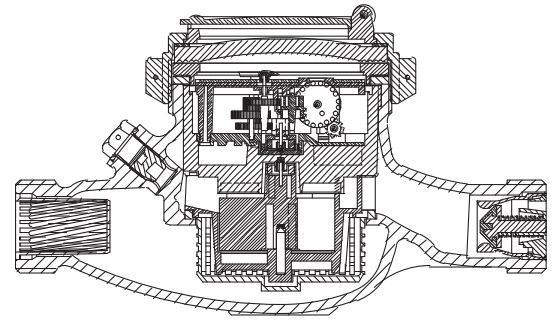
TK-8

Multi jet Dry type Water Meter



GENERAL

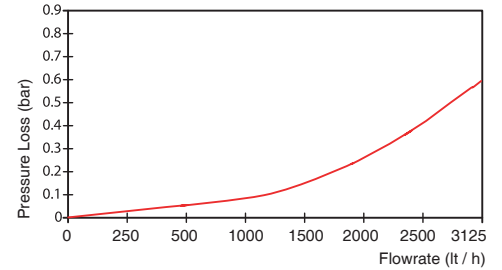
- MID Certified
- Multi jet working principle assures a long service time
- Suitable for potable water
- 360° rotating lid
- Low pressure loss, high sensitivity at initial flow
- Electrostatic painted body made of corrosion resistant brass
- Protection against external magnetic fields
- Available for optical reading • Non return valve
- Pulse output and AMR reading features are optional
- 3 years of warranty • Almost no maintenance
- Suitable for cold water up to 50°C
- Service and spare parts available for 10 years



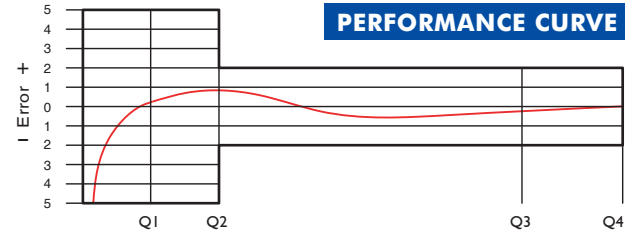
PERFORMANCE DATA

Overload Flowrate	Q4	m ³ /h	3,125
Permanent Flowrate	Q3	m ³ /h	2,5
Transitional Flowrate	Q2	m ³ /h	0,025
Minimum Flowrate	Q1	m ³ /h	0,0156
Q3/Q1 (MI-001 OIML R49)			≤160
Mounting on the network			Horizontal
Maximum Registration Capacity			9999 / 99999 / 99999,99 / 99999,999
Initial Flowrate	Qi	l/h	10
Maximum Working Pressure		bar	16
Maximum Working Temperature		°C	50
Pressure Loss		bar	0,63
Smallest Reading Resolution		m ³	0,00005
Class			Class 1 / Class 2
Quantity per package			10

PRESSURE LOSS CURVE

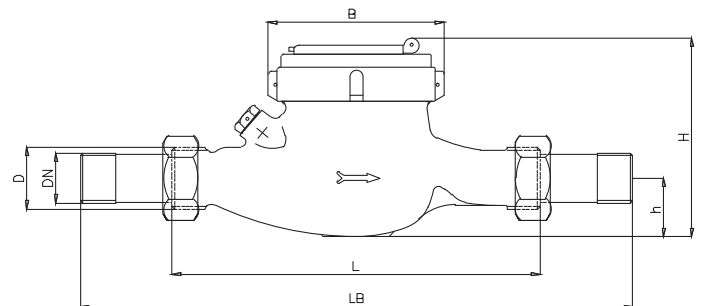


PERFORMANCE CURVE



DIMENSIONS

Nominal diameter	DN	20	mm
Connecting diameter	D	G 1	B
Total overall meter height	H	116,6	mm
Axis height	h	31,5	mm
Length	L	190	mm
Width	B	92,5	mm
Length with connections	LB	270	mm
Unit weight		1,33	kg
Package Weight (without connect)		14,06	kg
Package Weight (with connect)		15,96	kg
Package dimensions		24x46x22	cm



"Due to continuous development of our products, we reserve the right to modify our product design or construction without prior notice."