

BAYLAN

WATER METERS

TY-5

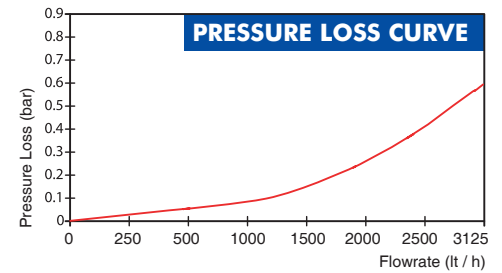
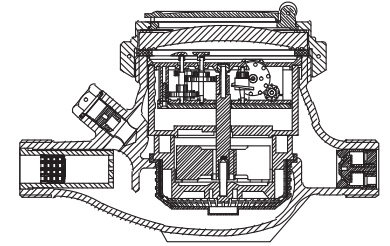
Multi jet Wet type

Water Meter



GENERAL

- MID Certified
- Multi jet working principle assures a long service time
- Available for optical reading
- Pulse output and AMR reading features are optional
- Low pressure loss, high sensitivity at initial flow
- Suitable for potable water
- Special glass with high resistance to pressure and impact
- 360° rotating lid • Double filter • Non return valve
- Electrostatic painted body made of corrosion resistant brass
- 3 years of warranty • Almost no maintenance
- Suitable for cold water up to 50°C
- Service and spare parts available for 10 years

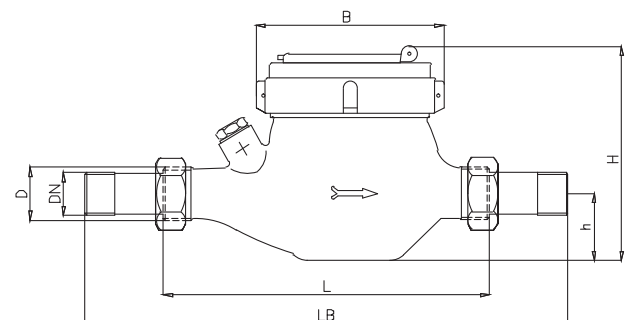
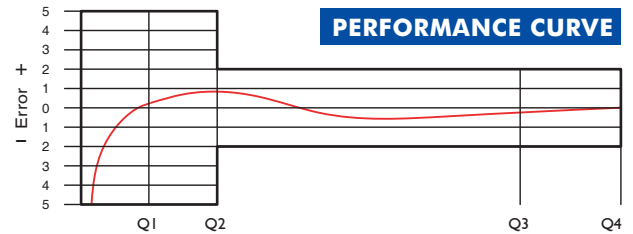


PERFORMANCE DATA

Overload Flowrate	Q4	m ³ /h	3,125					
Permanent Flowrate	Q3	m ³ /h	2,5					
Transitional Flowrate	Q2	m ³ /h	0,025	0,02	0,016	0,16	0,10	0,05
Minimum Flowrate	Q1	m ³ /h	0,0156	0,0125	0,01	0,10	0,0625	0,03125
Q3/Q1 (MI-001 OIML R49)	-		160	200	250	25	40	80
Mounting on the network	-		H			V		
Maximum Registration Capacity	m ³		9999 / 99999 / 99999,99 / 99999,999					
Maximum Working Pressure	bar		16					
Maximum Working Temperature	°C		50					
Pressure Loss	bar		0,6					
Initial Flow	Qi	l/h	6					
Smallest Reading Resolution	m ³		0,00005					
Class	-		Class 1/Class 2					
Unit weight	kg		1,30					
Package Weight (without connect)	kg		13,21					
Package Weight (with connect)	kg		14,81					
Quantity per package	-		10					
Package dimensions	cm		27x48,5x20					

DIMENSIONS

Nominal diameter	DN	15	mm
Connecting diameter	D	G 3/4	B
Total overall meter height	H	112	mm
Axis height	h	35	mm
Width	B	92,6	mm
Length	L	165 / 170	mm
Length with connections	LB	245 / 250	mm



"Due to continuous development of our products, we reserve the right to modify our product design or construction without prior notice."