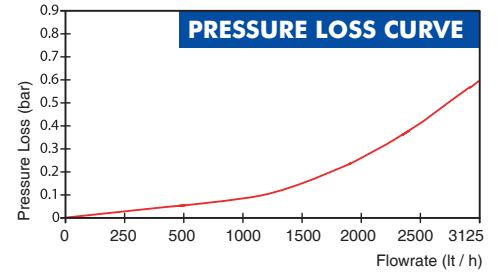
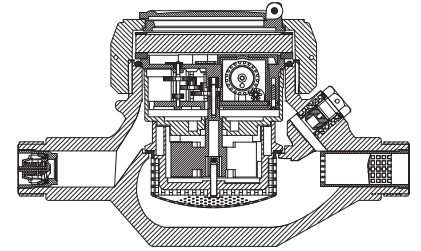


# BAYLAN

## WATER METERS

### TY-8P

#### Multi jet Semi-Dry type Water Meter



#### GENERAL

- MID Certified
- Multi jet working principle assures a long service time
- Suitable for potable water
- Low pressure loss, high sensitivity at initial flow
- Propylene glycol protected register
- Special glass with high resistance to pressure and impact
- 360° rotating lid • Double filter • Non return valve
- Plastic body with high resistance to pressure and impacts
- Available for optical reading
- Pulse output and AMR reading features are optional
- 3 years of warranty • Almost no maintenance
- Suitable for cold water up to 50°C
- Service and spare parts available for 10 years
- Brass or plastic end connection options

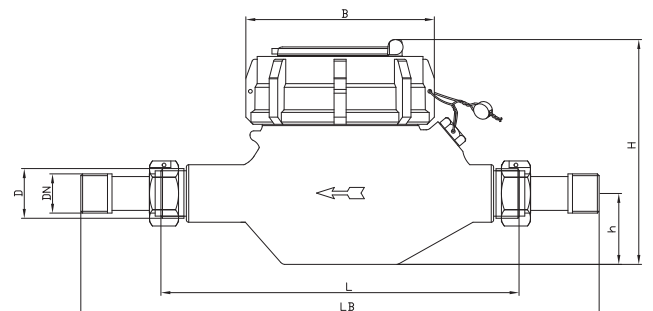
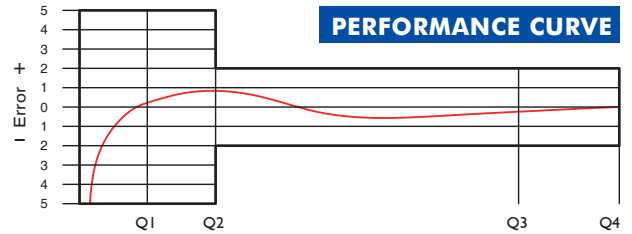


#### PERFORMANCE DATA

Overload Flowrate	Q4	m <sup>3</sup> /h	3,125					
Permanent Flowrate	Q3	m <sup>3</sup> /h	2,5					
Transitional Flowrate	Q2	m <sup>3</sup> /h	0,04	0,025	0,02	0,160	0,10	0,05
Minimum Flowrate	Q1	m <sup>3</sup> /h	0,025	0,0156	0,0125	0,100	0,0625	0,03125
Q3/Q1 (MI-001 OIML R49)	-		100	160	200	25	40	80
Mounting on the network	-		H			V		
Maximum Registration Capacity	m <sup>3</sup>		9999 / 99999 / 99999,99 / 99999,999					
Maximum Working Pressure	bar		16					
Maximum Working Temperature	°C		50					
Pressure Loss	bar		0,6					
Initial Flow	Qi	l/h	7					
Smallest Reading Resolution	m <sup>3</sup>		0,00005					
Class	-		Class 1/Class 2					
Quantity per package	-		10					
Package dimensions	cm		28x51,5x23					

#### DIMENSIONS

Nominal diameter	DN	15	mm
Connecting diameter	D	G 3/4	B
Total overall meter height	H	120	mm
Axis height	h	37,6	mm
Width	B	101	mm
Length	L	190	mm
Length with connections	LB	270	mm
Unit weight		0,68	kg
Package Weight (without connect)		7,56	kg
Package Weight (with connect)		8,06	kg



"Due to continuous development of our products, we reserve the right to modify our product design or construction without prior notice."