

BAYLAN

WATER METERS

Radio Frequency Automatic Valve Open-Close Module UV-1



GENERAL

- With RF (Radio Frequency) you can automatically open and close the vane
- Works in AT approved 868 Mhz ISM/SRD frequency
- Supports Wireless MBUS Protocol (EN13757)
- AES128-CBC Encrypted communication on wMBUS protocole.
- Opening and closing with remote control, no need to enter the house
- To secure water authority from any risk while cutting customers water
- Real time clock
- Easy installation and operation
- Save time
- Internal battery
- 3 years of warranty
- Almost no maintenance
- 10 years of spare parts and service

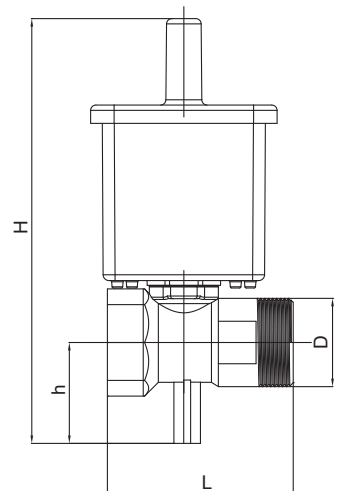


PERFORMANCE DATA

Working Frequency	: 868.03 Mhz & WMBus T2
Modulation	: GFSK
Receiver Sensitivity	: -111dB
Communication Speed	: 1.2-250 kbps
Communication Type	: Bidirectional (Receiver and Transmitter)
Effective Distance (outside)	: 400m
Energy	: 3.6V DC lithium battery
Battery life	: 10 year
Working Temperature	: -20/+70°C
Weight	: 580 Gr.

DIMENSIONS

Nominal diameter	DN	15	20	mm
Connecting diameter	D	G 3/4	G 1	B
Total overall meter height	H	160	152	mm
Axis height	h	70	70	mm
Length	L	38	30	mm



"Due to continuous development of our products, we reserve the right to modify our product design or construction without prior notice."