

BAYLAN

WATER METERS

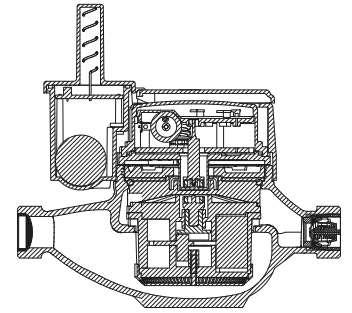
VK-4 RF Volumetric Water Meter



GENERAL

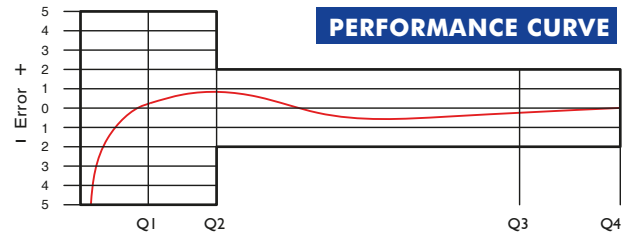
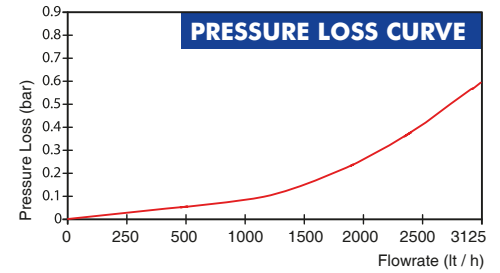
LoRa & wM-Bus Smart Water Meter

- Compact design; meter and communication module in the same housing
- Integrated Lora module-chipset allows both LORA and FSK modulation
- Supports LoRaWAN™ - Class A Protocol
- Supports Wireless MBUS Protocol
- Supports LoRaWAN™ and Wireless MBUS Protocols simultaneously (Optional)
- Selectable Frequency Band EU 863-870 Mhz
- Power Supply 3.6V Lithium Battery • MID Certified
- Vacuumed/air-free mechanism suitable for tropical installation conditions
- Electrostatic epoxy painted body made of corrosion-resistant brass alloy
- Volumetric principle assures very high sensitivity even at low flow
- Very good sensitivity in initial starting
- Suitable for potable water and cold water up to 50°C
- Special glass with high resistance to pressure and impact
- Star wheels indicator ready for optical pulse read-out
- 3 years of warranty • Integrated strainer and non-return valve
- Almost no maintenance
- Service and spare parts available for 10 years



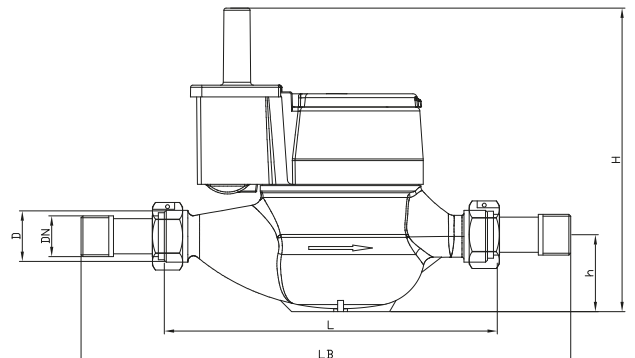
PERFORMANCE DATA

Overload Flowrate	Q4	m³/h	3,125
Permanent Flowrate	Q3	m³/h	2,500
Transitional Flowrate	Q2	m³/h	0,008
Minimum Flowrate	Q1	m³/h	0,005
Q3/Q1 (MI-001 OIML R49)	-		≤500
Maximum Registration Capacity	m³		9999 / 99999 / 99999,99 / 99999,999
Mounting on the network	-		All Positions
Initial Flow	Qi	l/h	1
Maximum Working Pressure	bar		16
Maximum Working Temperature	°C		50
Pressure Loss	bar		0,63
Smallest Reading Resolution	m³		0,00005
Class	-		Class 1 / Class 2



DIMENSIONS

Nominal diameter	DN	15	mm
Connecting diameter	D	G 3/4	B
Total overall meter height	H	154	mm
Axis height	h	38,4	mm
Width	B	86	mm
Length	L	165	mm
Length with connections	LB	245	mm
Unit weight		1,29	kg
Package Weight (without connections)		7,26	kg
Package Weight (with connections)		8,06	kg
Quantity per package		5	pcs
Package dimensions		19x54x23	cm



"Due to continuous development of our products, we reserve the right to modify our product design or construction without prior notice."