

BAYLAN

WATER METERS

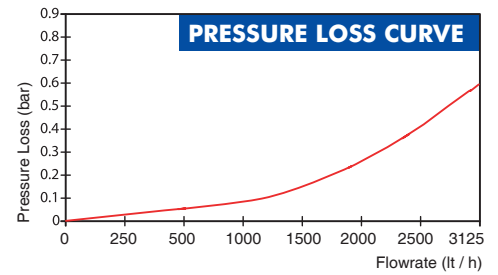
VK-4

Volumetric Water Meter



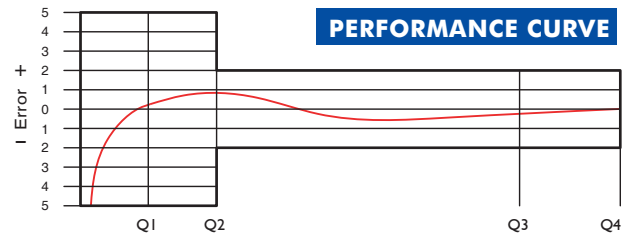
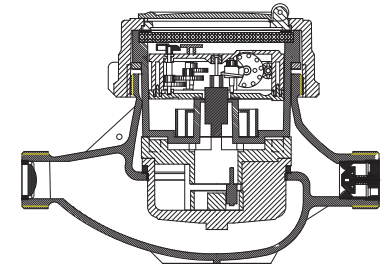
GENERAL

- MID Certified
- Volumetric principle assures very high sensitivity even at low flow
- Suitable for potable water
- Very good sensitivity in initial starting
- Special glass with high resistance to pressure and impact
- Electrostatic painted body made of corrosion resistant brass
- Protection against external magnetic fields
- Available for optical reading
- Wiper on the glass is optional
- Pulse output and AMR reading features are optional
- 3 years of warranty • Non return valve
- Suitable for cold water up to 50°C
- Almost no maintenance • 360° rotating lid
- Service and spare parts available for 10 years



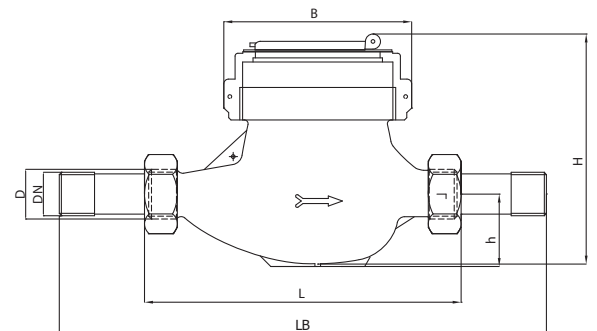
PERFORMANCE DATA

Overload Flowrate	Q4	m³/h	3.125
Permanent Flowrate	Q3	m³/h	2.500
Transitional Flowrate	Q2	m³/h	0.008
Minimum Flowrate	Q1	m³/h	0.005
Q3/Q1 (MI-001 OIML R49)	-		≤500
Maximum Registration Capacity	m³		9999 / 99999 / 99999,99 / 99999,999
Mounting on the network	-		All Positions
Initial Flow	Qi	l/h	1
Maximum Working Pressure	bar		16
Maximum Working Temperature	°C		50
Pressure Loss	bar		0,63
Smallest Reading Resolution	m³		0.00005
Class	-		Class 1 / Class 2



DIMENSIONS

Nominal diameter	DN	15	mm
Connecting diameter	D	G 3/4	B
Total overall meter height	H	115,8	mm
Axis height	h	38,5	mm
Width	B	93	mm
Length	L	165 170	mm
Length with connections	LB	245 250	mm
Unit weight		1.19	kg
Package Weight (without connections)		12.60	kg
Package Weight (with connections)		14.16	kg
Quantity per package		10	pcs
Package dimensions		27x48x20	cm



"Due to continuous development of our products, we reserve the right to modify our product design or construction without prior notice."