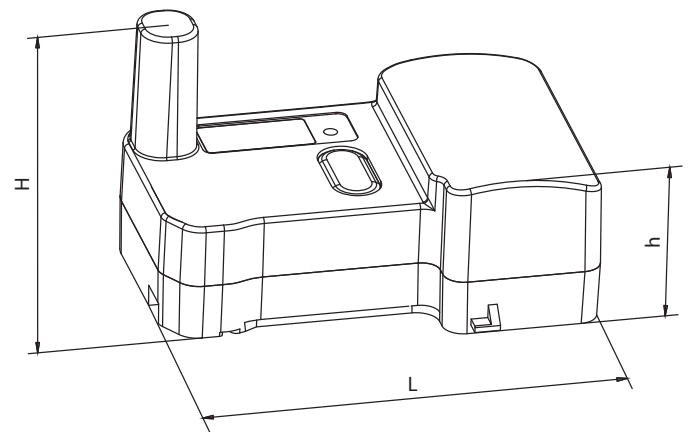


# BAYLAN

## WATER METERS

### RF (LoRa) Automatic Meter Reading Module



#### GENERAL

- Integrated Lora module-chipset allows both LORA and FSK modulation
- Supports LoRaWAN™ - Class A Protocol
- Supports Wireless MBUS Protocol
- Supports LoRaWAN™ and Wireless MBUS Protocols simultaneously (Optional)
- Selectable Frequency Band EU 863-870 Mhz
- Power Supply 3.6V Lithium Battery
- Ability to measure forward and reverse flow separately
- 1 Lt. measuring sensitivity
- Reading indexes remotely
- Firmware update with Wireless M-Bus
- Obtain fast and effective readouts and easy billing
- Recognition of interferences and keep them at memory
- With inductive sensor full protection against magnetic
- Electronic flow detection • Internal battery
- Real time clock
- Easy assembly • Saving on time
- By creating databases, you can easily control consumption values
- Almost no maintenance • 10 years battery life
- 3 years of warranty • 10 years of spare parts and service

#### PERFORMANCE DATA

	LoRaWAN	Wireless MBus
Working Frequency	868 MHz	868 MHz
Communication Speed	0.3-10 Kbps	100 Kbps
Modulation	LoRa	FSK
Protocol	LoRaWAN	wM-Bus
Effective Distance (outside)	3000 m	600 m
Communication Type	Two Way	Two Way
Band width	125 kHz	100 kHz
Transmitter output power	14 dBm	14 dBm
Local network capacity	+3000	250
Energy	3.6V DC lithium battery	
Battery Life	10 years	
Working Temperature	-20/+70°C	
Weight	180 Gr.	
Protection Class	IP68	

#### DIMENSIONS

Total Height	H	49	mm
Axis Height	h	30	mm
Length	L	92	mm